



CATALOG NUMBER

TYPE

NOTES

# LEDRTT8U

## 2X2 Recessed Troffer with T8 LED U-Lamp Tubes

### Product Description

2x2 recessed, lay-in troffer with clear acrylic P12 lens. Available in 2 U-lamp, 3500K or 4100K. Fixture offers general office lighting with greater energy savings than fluorescent lighting. LED lamp tubes offer longer lamp life to reduce maintenance cost.

### Performance Summary

- \*CRI: WW=90  
CW=80
- \*CCT: 3500K & 4100K
- \*Class 2 Driver (Power Factor>99%, THD<10%, Efficiency>85%)
- \*Operating Voltage: 120/277V
- \*Dimmable up to 0% using standard dimming controls
- \*Certified to UL & CSA standards

### Ordering Information

**LED RTT8 2U** - Recessed 2x2 troffer with 2 LED T8 U-lamps, 120/277V

**LED RTT8 2U DIM** - Recessed 2x2 troffer dimmable with 2 LED T8 lamps, 120/277V

### Lamp Options

**LED240T8U6WW** - T8 Square 6" LED U-lamp tube with 240 diodes, 12W, 3500K, 1680lm

**LED300T8U6WW** - T8 Square 6" LED U-lamp tube with 300 diodes, 15W, 3500K, 2100lm

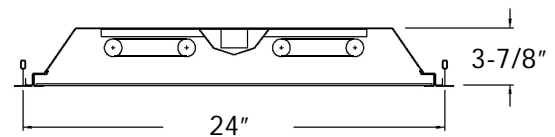
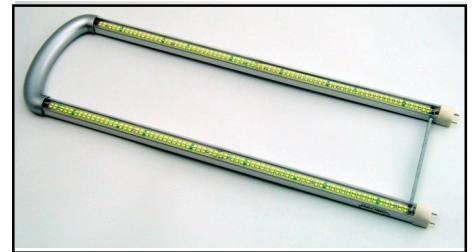
**LED240T8U6CW** - T8 Square 6" LED U-lamp tube with 240 diodes, 12W, 4100K, 1680lm

**LED300T8U6CW** - T8 Square 6" LED U-lamp tube with 300 diodes, 15W, 4100K, 2100lm



**LED RTT8U**

Patented  
**LUMEN-STARR**<sup>®</sup>  
Technology



Montclair, Ca. 91763 USA  
Tel: (909) 627-5333 Fax: (909) 627-2887  
[www.archipelagolighting.com](http://www.archipelagolighting.com)

# LEDRTT8

# 2X2 Recessed Troffer with T8 LED U- Lamp Tubes

## Specifications & Features

### Light Emitting Diodes

- \*LED technology delivers high quality white light.
- \*Diodes designed to maintain 70% light output up to 50,000hrs.
- \*Color management for controlled color consistency.

### Construction

- \*Die-formed heavy gauge steel haousing and end plates. Post painted powder coat white
- \*Aluminum Door Frame with positive hinging and latching
- \*Pattern 12 prismatic acrylic lens standard

### Optical

- \*Multi-diode "Lumen-Starr" square U-lamp tube allows for a uniform light output.
- \*Wide-angled LEDs allows the lens to refract light output for a comfortable distribution

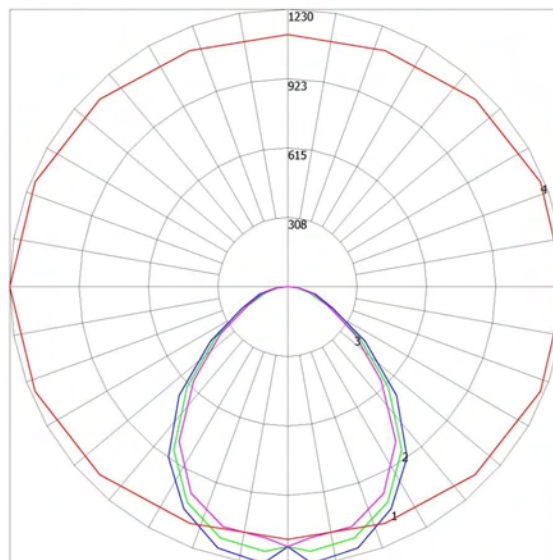
### Electrical

- \*High efficiency "Class 2" driver/power supply
- \*Power Factor >99%, THD <10%, Efficiency >85%
- \*Input voltage: 120/277V
- \*Dimmable

## Photometry

IES INDOOR REPORT  
PHOTOMETRIC FILENAME : LLI010910

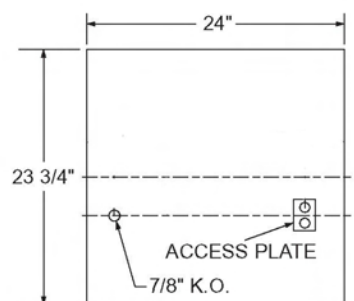
### POLAR GRAPH



Maximum Candela = 1230 Located At Horizontal Angle = 0, Vertical Angle = 5  
# 1 - Vertical Plane Through Horizontal Angles (0 - 180) (Through Max. Cd.) : BLUE  
# 2 - Vertical Plane Through Horizontal Angles (45 - 225) : GREEN  
# 3 - Vertical Plane Through Horizontal Angles (90 - 270) : MAGENTA  
# 4 - Horizontal Cone Through Vertical Angle (5) (Through Max. Cd.) : RED

## Product Installation

Fixtures lay in grid system as easily as the acoustical tile panels. All four sides rest directly on the inverted "T" runners. Fixtures feature a rigidly designed unitized body with provisions for independent suspension.



ARCHIPELAGO LIGHTING, Inc.  
Montclair, Ca. 91763 USA  
Tel: (909) 627-5333  
Fax: (909) 627-2887  
www.archipelagolighting.com