



CATALOG NUMBER \_\_\_\_\_

TYPE \_\_\_\_\_

NOTES \_\_\_\_\_

# LED PB3



## 3" Deep Parabolic Fixture with T8 LED Lamp Tubes

### Product Description

2x4 recessed, lay-in Parabolic Louver fixture with 3" deep, 18 Cell Louver. Available in 3 wattage, 9W, 12W and 15W lamps. Fixtures offers general office lighting @ lower wattage for greater energy savings than fluorescent lighting. LED lamp tubes offer longer lamp life to reduce maintenance cost.

### Performance Summary

- \*CRI: WW=85  
CW=80
- \*CCT: 3500K & 4100K
- \*Class 2 Driver (Power Factor>99%, THD<10%)
- \*Operating Voltage: 120/277V

### Ordering Information

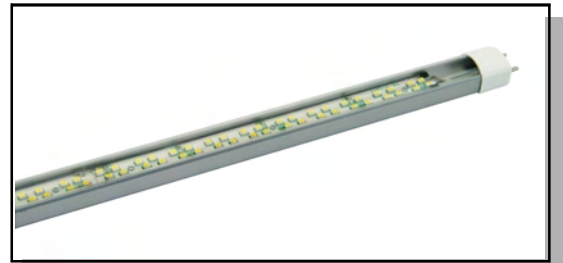
- LED PB3 224U-9** - Recessed 2x2 Parabolic w/2-240 LED T8 6" U- lamps, 120/277V
- LED PB3 230U-9** - Recessed 2x2 Parabolic w/2-300 LED T8 6" U- lamps, 120/277V
- LED PB3 3177-18** - Recessed 2x4 Parabolic w/3-177 LED T8 lamps, 120/277V
- LED PB3 3240-18** - Recessed 2x4 Parabolic w/3-240 LED T8 lamps, 120/277V
- LED PB3 3300-18** - Recessed 2x4 Parabolic w/3-300 LED T8 lamps, 120/277V

### Lamp Options

- LED240T8U6WW** - T8 6" U-lamp Sq LED tube, 12W, 3500K, 1680lm
- LED300T8U6WW** - T8 6" U-lamp Sq LED tube, 15W, 3500K, 2100lm
- LED177T8SQWW** - T8 Square LED tube with 177 diodes, 9W, 3500K, 1239lm
- LED240T8SQWW** - T8 Square LED tube with 240 diodes, 12W, 3500K, 1680lm
- LED300T8SQWW** - T8 Square LED tube with 300 diodes, 15W, 3500K, 2100lm
  
- LED240T8U6CW** - T8 6" U-lamp Sq LED tube, 12W, 4100K, 1680lm
- LED300T8U6CW** - T8 6" U-lamp Sq LED tube, 15W, 4100K, 2100lm
- LED177T8SQCW** - T8 Square LED tube with 177 diodes, 9W, 4100K, 1239lm
- LED240T8SQCW** - T8 Square LED tube with 240 diodes, 12W, 4100K, 1680lm
- LED300T8SQCW** - T8 Square LED tube with 300 diodes, 15W, 4100K, 2100lm



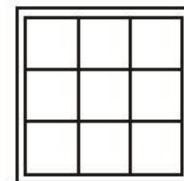
LED PB3 3



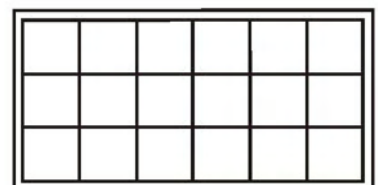
LED300T8SQCW



LED300T8U6CW



9 Cell



18 Cell

# LED PB3

# 2X4 Recessed Parabolic with T8 LED Lamp Tubes

## Specifications & Features

### Light Emitting Diodes

- \*LED technology delivers high quality white light.
- \*Diodes designed to maintain 70% light output up to 50,000hrs.
- \*Color management for controlled color consistency.

### Construction

- \*Die-formed heavy gauge steel housing and end plates.
- \*Post painted powder coat white
- \*Specular Parabolic Louver 3" Door Frame with positive hinging and latching.

### Optical

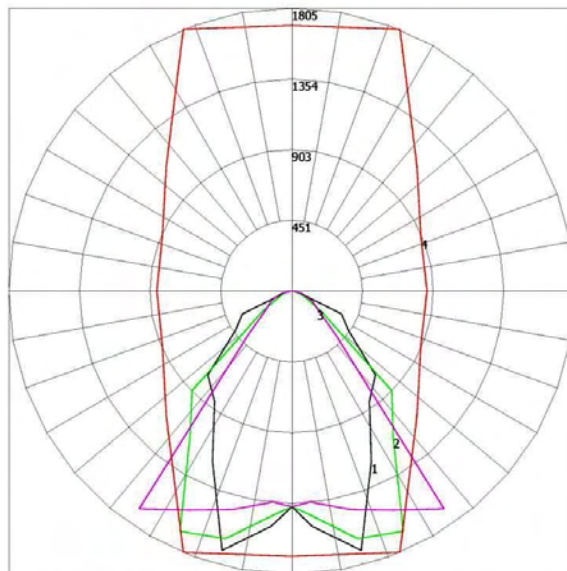
- \*Multi-diode "Lumen-Starr" square lamp tube allows for a uniform light output.
- \*Wide-angled LEDs allows the lens to refract light output for a comfortable distribution

### Electrical

- \*High efficiency "Class 2" driver/power supply
- \*Power Factor >99%, THD <10%
- \*Input voltage: 120/277V
- \*Dimmable

## Photometry

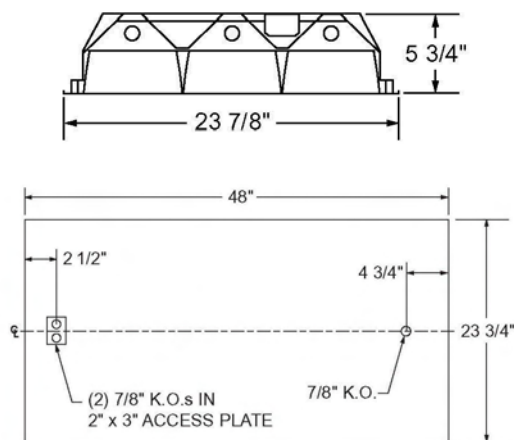
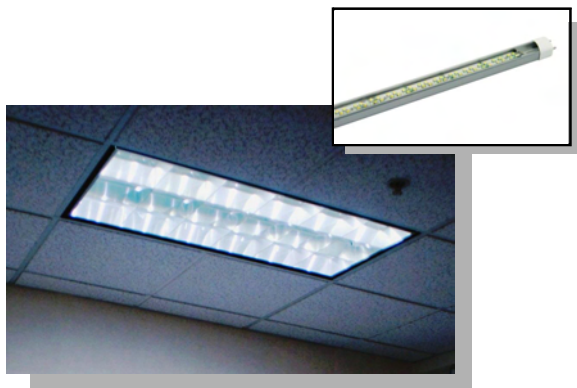
IES INDOOR REPORT  
PHOTOMETRIC FILENAME : LL1080809A.IES  
POLAR GRAPH



Maximum Candela = 1805 Located At Horizontal Angle = 67.5, Vertical Angle = 35  
# 1 - Vertical Plane Through Horizontal Angles (0 - 180) : BLACK  
# 2 - Vertical Plane Through Horizontal Angles (45 - 225) : GREEN  
# 3 - Vertical Plane Through Horizontal Angles (90 - 270) : MAGENTA  
# 4 - Horizontal Cone Through Vertical Angle (35) (Through Max. Cd.) : RED

## Product Installation

Fixtures lay in grid system as easily as the acoustical tile panels. All four sides rest directly on the inverted "T" runners. Fixtures feature a rigidly designed unitized body with provisions for independent suspension.



ARCHIPELAGO LIGHTING, Inc.  
Montclair, Ca. 91763 USA  
Tel: (909) 627-5333  
Fax: (909) 627-2887  
www.archipelagolighting.com