



CATALOG NUMBER

TYPE

NOTES

# LEDRTT8

## 2X2, 2X4 Recessed Troffer with T8 LED Lamp Tubes

### Product Description

2ft wide recessed, lay-in troffer with clear acrylic P12 lens. Available in two 6" U-lamp or 2-lamp, 3-lamp and 4-lamp linear. Fixture offers general office lighting with greater energy savings than fluorescent lighting. LED lamp tubes offer longer lamp life to reduce maintenance cost.

### Performance Summary

- \*CRI: WW=85  
CW=80
- \*CCT: 3500K & 4100K
- \*Class 2 Driver (Power Factor>99%, THD<10%, Efficiency>85%)
- \*Operating Voltage: 120/277V

### Ordering Information

- LED RTT8 2U** - Recessed 2x2 troffer with 2 LED T8 U-lamps, 120/277V
- LED RTT8 2** - Recessed 2x4 troffer with 2 LED T8 lamps, 120/277V
- LED RTT8 3** - Recessed 2x4 troffer with 3 LED T8 lamps, 120/277V
- LED RTT8 4** - Recessed 2x4 troffer with 4 LED T8 lamps, 120/277V

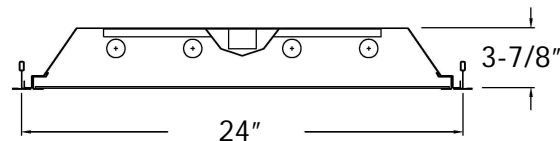
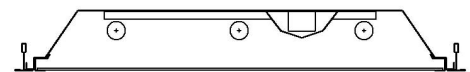
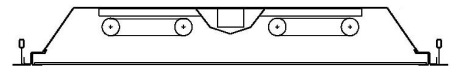
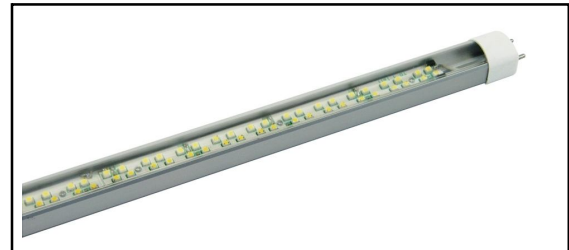
### Lamp Options

- LED240T8U6WW** - 6" T8 LED U-tube with 240 diodes, 12W, 3500K, 1200lm
- LED300T8U6WW** - 6" T8 LED U-tube with 300 diodes, 15W, 3500K, 1500lm
- LED240T8U6CW** - 6" T8 LED U-tube with 240 diodes, 12W, 4100K, 1500lm
- LED300T8U6CW** - 6" T8 LED U-tube with 300 diodes, 15W, 4100K, 1900lm
- LED177T8SQWW** - T8 Square LED tube with 177 diodes, 9W, 3500K, 850lm
- LED240T8SQWW** - T8 Square LED tube with 240 diodes, 12W, 3500K, 1200lm
- LED300T8SQWW** - T8 Square LED tube with 300 diodes, 15W, 3500K, 1500lm
- LED177T8SQCW** - T8 Square LED tube with 177 diodes, 9W, 4100K, 910lm
- LED240T8SQCW** - T8 Square LED tube with 240 diodes, 12W, 4100K, 1500lm
- LED300T8SQCW** - T8 Square LED tube with 300 diodes, 15W, 4100K, 1900lm



LED RTT8 3

Patented  
**LUMEN-STARR**<sup>®</sup>  
Technology



Montclair, Ca. 91763 USA  
Tel: (909) 627-5333 Fax: (909) 627-2887  
www.archipelagolighting.com

# LEDRTT8

# 2X4 Recessed Troffer with T8 LED Lamp Tubes

## Specifications & Features

### Light Emitting Diodes

- \*LED technology delivers high quality white light.
- \*Diodes designed to maintain 70% light output up to 50,000hrs.
- \*Color management for controlled color consistency.

### Construction

- \*Die-formed heavy gauge steel housing and end plates.
- Post painted powder coat white
- \*Aluminum Door Frame with positive hinging and latching
- \*Pattern 12 prismatic acrylic lens standard

### Optical

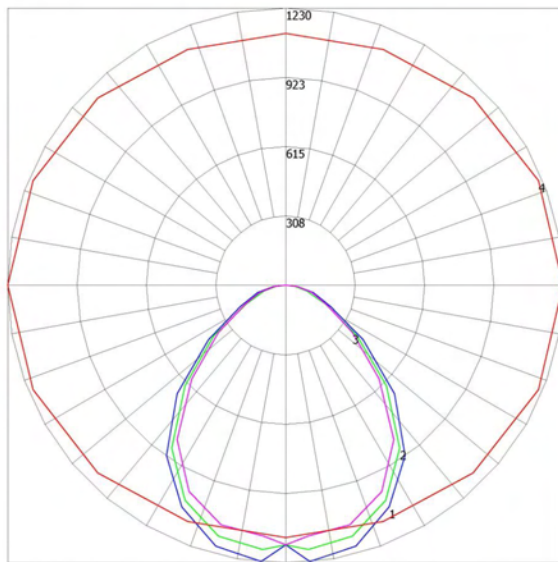
- \*Multi-diode "Lumen-Starr" square lamp tube allows for a uniform light output.
- \*Wide-angled LEDs allows the lens to refract light output for a comfortable distribution

### Electrical

- \*High efficiency "Class 2" driver/power supply
- \*Power Factor >99%, THD <10%, Efficiency >85%
- \*Input voltage: 120/277V
- \*Dimmable

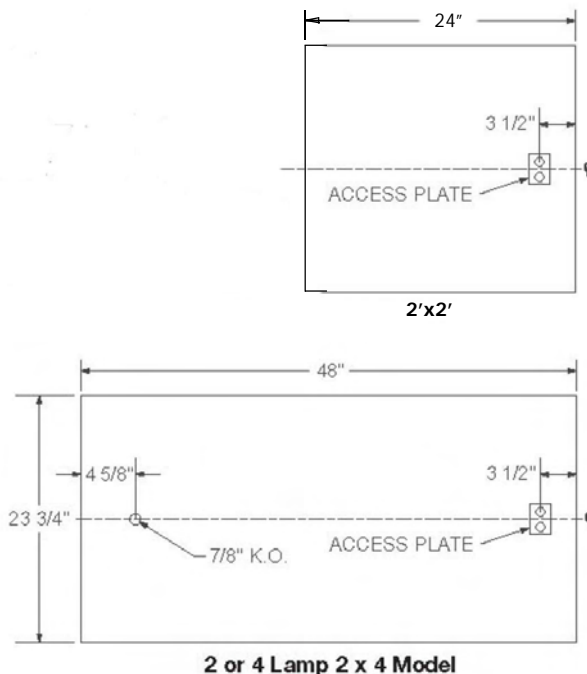
## Photometry

IES INDOOR REPORT  
PHOTOMETRIC FILENAME : LLI010910B.IES  
POLAR GRAPH



Maximum Candela = 1230 Located At Horizontal Angle = 0, Vertical Angle = 5  
# 1 - Vertical Plane Through Horizontal Angles (0 - 180) (Through Max. Cd.) : BLUE  
# 2 - Vertical Plane Through Horizontal Angles (45 - 225) : GREEN  
# 3 - Vertical Plane Through Horizontal Angles (90 - 270) : MAGENTA  
# 4 - Horizontal Cone Through Vertical Angle (5) (Through Max. Cd.) : RED

## Product Installation



ARCHIPELAGO LIGHTING, Inc.  
Montclair, Ca. 91763 USA  
Tel: (909) 627-5333  
Fax: (909) 627-2887  
www.archipelagolighting.com